



وزارة التربية والتعليم  
MINISTRY OF EDUCATION



## اختبار الرياضيات الصف السابع الوحدة التاسعة الفصل الثالث لعام 2025 - 2026

احجز مكانك واستعد للامتحان بثقة كاملة

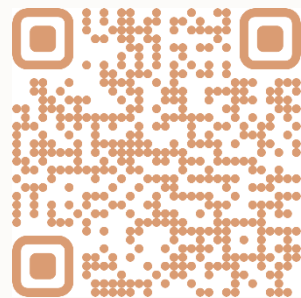
احصل على الشرح الكامل للصف من خلال:

التواصل والحجز عبر الـ Whatsapp  
اضغط على الرقم: 0566991363



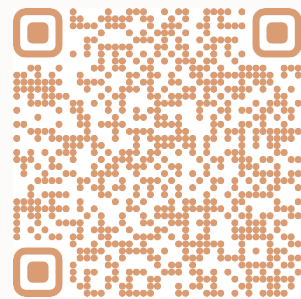
Mr. Aghead

للتواصل والحجز

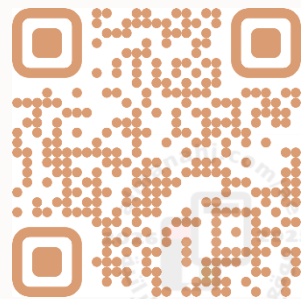


للانتقال إلى المواقع  
اضغط هنا

شرح الدروس



انضم للقناة



موقع المفاهيم الإمارات

للتواصل اضغط الرقم:  
**0566991363**

**Mr. Aghead**

## يمكنكم الحصول على

شرح دروس  
الفصل كاملاً

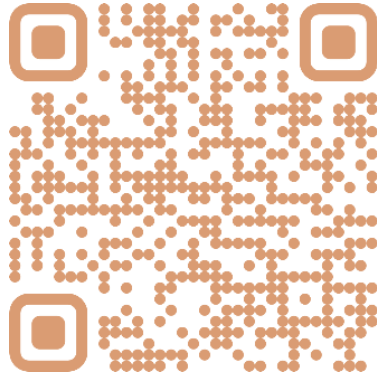
بـ 99  
درهم فقط

ملزمة محلولة  
بالكامل

اختبارات مع الحل

إن الاشتراك شامل لكامل الفصل الدراسي

لا تتردد في التواصل  
معنا قم بمسح الـ QR



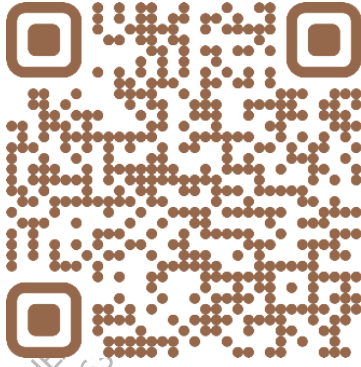
احصل على الشرح الكامل للصف من خلال:  
التواصل والحجز عبر الـ Whatsapp  
اضغط على الرقم: 0566991363

Mr. Aghead

للتواصل اضغط الرقم:  
0566991363

## اختبار الوحدة التاسعة

الأسئلة الموضوعية - MCQ



لا تتردد في التواصل معنا  
قم بمسح الـ QR

احصل على الشرح الكامل للصف من خلال:

التواصل والحجز عبر الـ Whatsapp

اضغط على الرقم: 0566991363



Mr. Aghead

للتواصل اضغط الرقم: 0566991363

احصل على الشرح كاملاً بـ 99 درهم فقط

**Question N.1: If a circle has a diameter of 10 cm, what is its circumference?**

A. 15.7 cm
B. 62.8 cm
C. 314 cm
D. 31.4 cm

**Question N.2: A circular helicopter pad has a circumference of 47.5 yards.**

**Which of the following is the approximate diameter of the helicopter pad?**

**(round your answer to the nearest hundredth).**

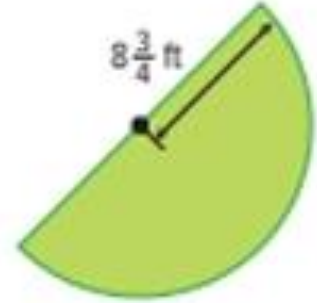
A. 7.56 yards
B. 15.13 yards
C. 30.25 yards
D. 149.15 yards

**Question N.3: If a circle has a radius of 4 units, what is its area?**

A. 12.56
B. 25.12
C. 50.24
D. 16

Question N.4: Mr. Ling is adding a pond in the shape of a semicircle in his backyard. If the radius of the pond is  $8\frac{3}{4}$  feet, what is the area of the pond? (round your answer to the nearest hundredth)

A. 27.48
B. 60.10
C. 120.20
D. 240.41



Question N.5: If a composite figure is made of a rectangle (5m by 4m) and a triangle attached to its side (base 4m, height 3m), what is the total area?

A. 26
B. 20
C. 60
D. 32

Question N.6: Based on the figure provided, calculate the area of the shaded region.

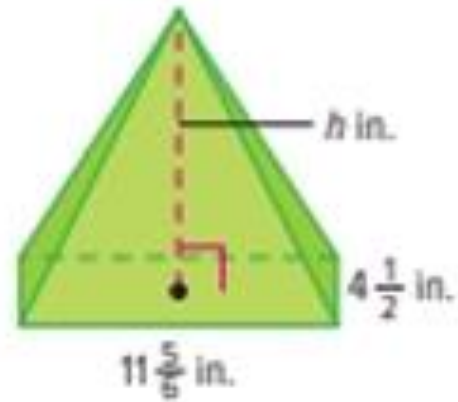
A. 256
B. 512
C. 640
D. 1024

Question N.7: A rectangular prism has a length of 10 inches, a width of 4 inches, and a height of 5 inches. What is its volume?

A. $100 \text{ in}^3$
B. $200 \text{ in}^3$
C. $40 \text{ in}^3$
D. $19 \text{ in}^3$

Question N.8: A rectangular pyramid has a volume of  $266\frac{1}{4}$  cubic inches. What is the height (h) of the pyramid?

A. 5 in
B. 10 in
C. 15 in
D. 45 in

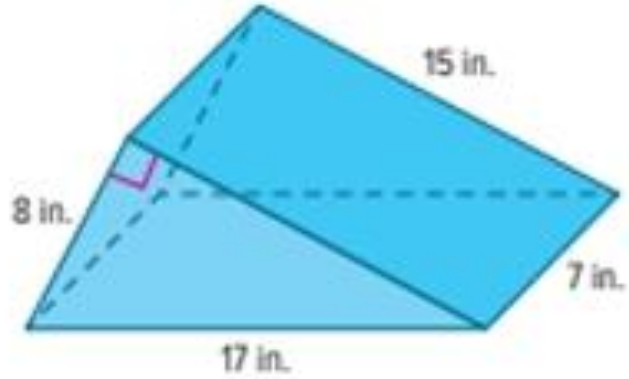


Question N.9: A triangular prism has two triangular bases and how many rectangular lateral faces?

A. 3
B. 2
C. 5
D. 4

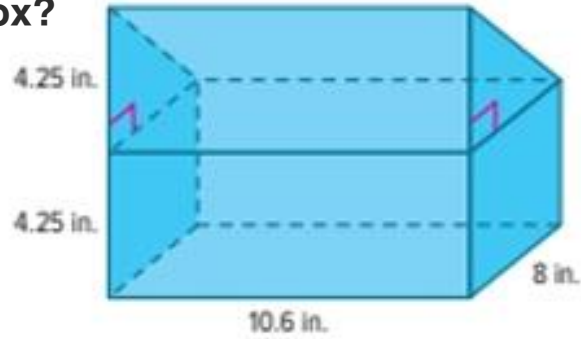
Question N.10: What is the total surface area of the triangular prism-shaped toy car ramp shown in the figure?

A. $280 \text{ in}^2$
B. $340 \text{ in}^2$
C. $400 \text{ in}^2$
D. $420 \text{ in}^2$



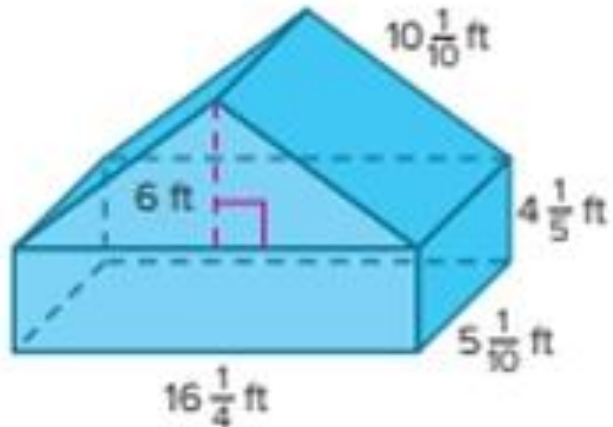
Question N.11: Mya's lunchbox is a composite figure made of a rectangular prism and a triangular prism. Based on the dimensions shown in the image, what is the total volume of the lunchbox?

A. $360.4 \text{ in}^3$
B. $450.8 \text{ in}^3$
C. $540.6 \text{ in}^3$
D. $720.8 \text{ in}^3$



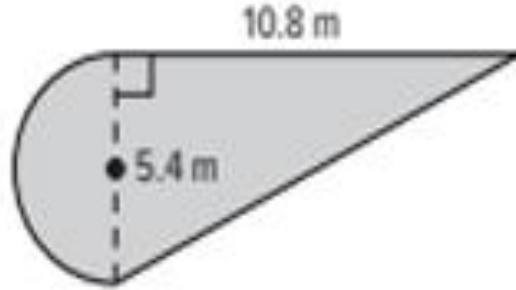
Question N.12: Find the total surface area of the composite figure shown, which represents a small shed. Round your answer to the nearest tenth.

A. $379.9 \text{ ft}^2$
B. $462.7 \text{ ft}^2$
C. $545.6 \text{ ft}^2$
D. $612.3 \text{ ft}^2$



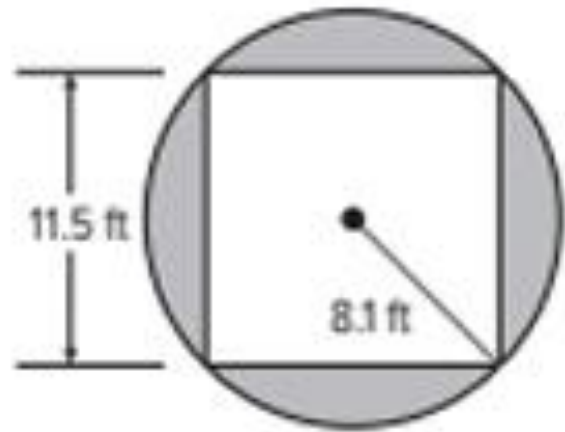
Question N.13: The figure shown is composed of a semicircle and a triangle. Given that the radius of the semicircle is 5.4m and the base of the triangle is 10.8m, what is the total area of the figure? (round to the nearest hundredth)

- |                         |
|-------------------------|
| A. 45.78 m <sup>2</sup> |
| B. 52.06 m <sup>2</sup> |
| C. 74.94 m <sup>2</sup> |
| D. 81.21 m <sup>2</sup> |



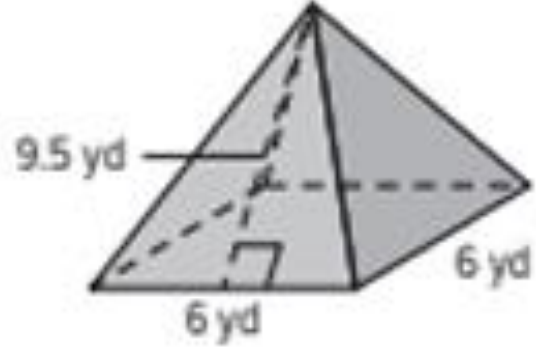
Question N.14: A square with a side length of 11.5 ft is inscribed inside a circle with a radius of 8.1 ft. What is the approximate area of the shaded region? (round to the nearest hundredth)

- |                            |
|----------------------------|
| A. 73.77 ft <sup>2</sup> . |
| B. 132.25 ft <sup>2</sup>  |
| C. 206.02 ft <sup>2</sup>  |
| D. 338.27 ft <sup>2</sup>  |



Question N.15: What is the total surface area of a regular square pyramid with a base side length of 6 yd and a slant height of 9.5 yd?

A. $114 \text{ yd}^2$
B. $120 \text{ yd}^2$
C. $138 \text{ yd}^2$
D. $150 \text{ yd}^2$



MR. AGHEAD  
0566991363

MR. AGHEAD  
0566991363

MR. AGHEAD  
0566991363

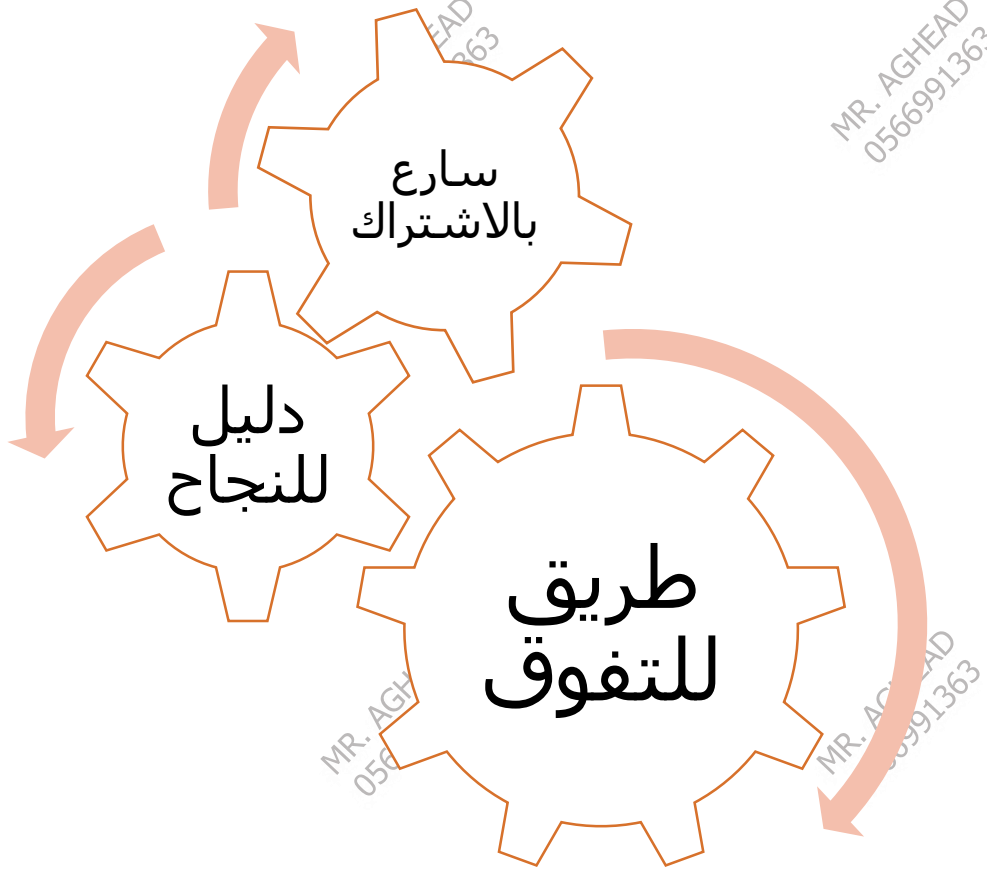
MR. AGHEAD  
0566991363

MR. AGHEAD  
0566991363

MR. AGHEAD  
0566991363

للتواصل اضغط الرقم:  
**0566991363**

**Mr. Aghead**



للحجز التواصل عبر الـ Whatsapp من خلال الضغط على الرقم:

**0566991363**

مع أطيب التمنيات بالنجاح والتوفيق ...  
النهاية ...